



THE NETHERLANDS
(N E D E R L A N D)



COMMUNICATION


Concerning:

- approval granted
- ~~- approval extended~~
- ~~- approval refused~~
- ~~- approval withdrawn~~
- ~~- production definitely discontinued~~

of a type of retro-reflecting device pursuant to Regulation number 3.

Approval number: E4-3R-02 16616

Extension number: 00

- | | | | |
|----|--|---|---|
| 1. | Trade name or mark of the device | : |  |
| 2. | Manufacturer's name for the type of device | : | DF-TRL006 |
| 3. | Manufacturer's name and address | : | Zhejiang Dahao Automotive Co., Ltd.
Xiaotian, Duqiao, Linhai,
Taizhou City Zhejiang, 317016,
China |
| 4. | If applicable, name and address of the manufacturer's representative | : | --- |
| 5. | Submitted for approval on | : | 26 June 2012 |
| 6. | Technical service responsible for conducting approval tests | : | DEKRA Certification B.V. |
| 7. | Date of test report | : | 24 July 2012 |
| 8. | Number of test report | : | 2153159-PHO-12-061-36 |
| 9. | Concise description | : | |
| | In isolation /part of an assembly of devices | : | Part of lamp |

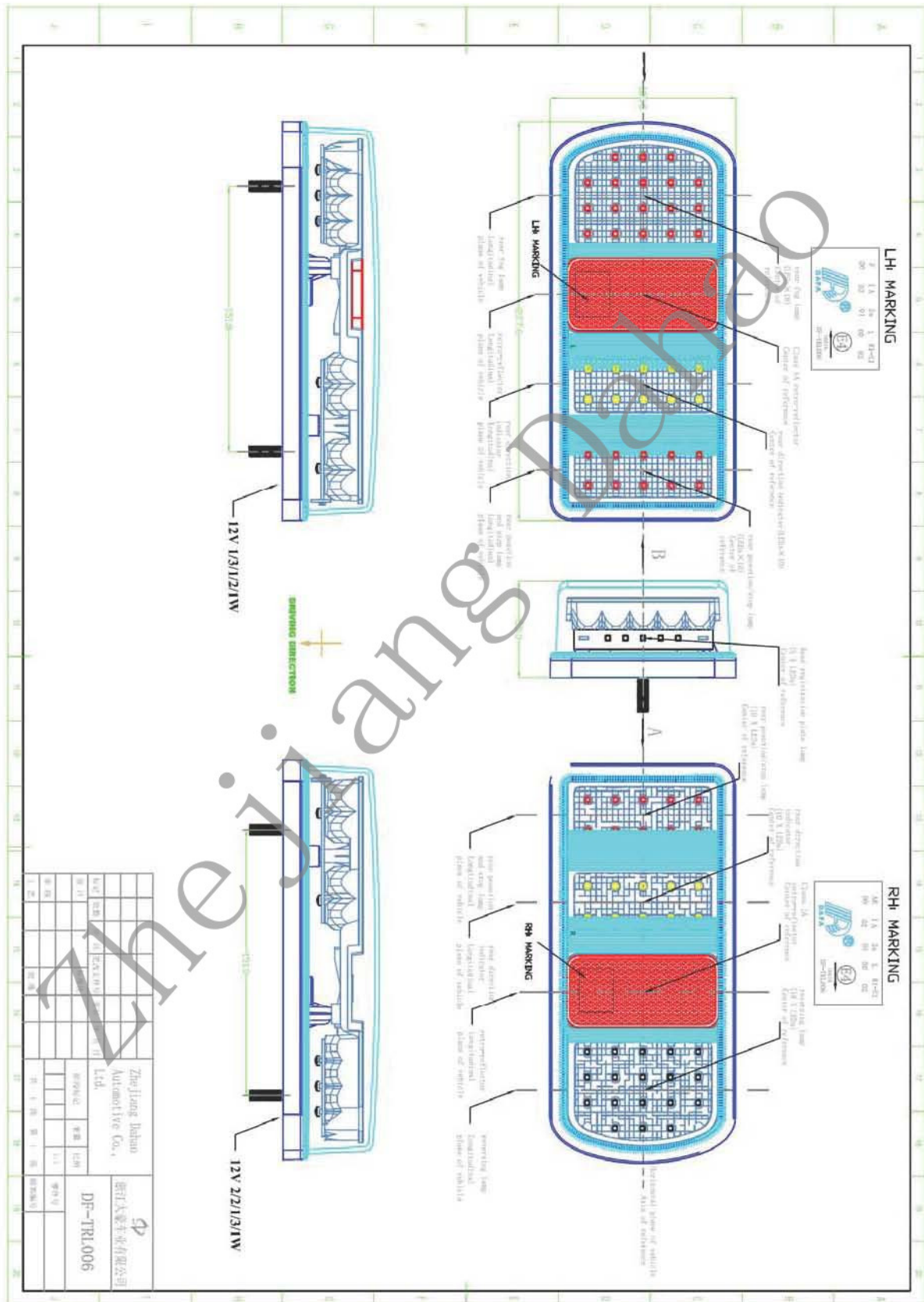


- Colour of light emitted : ~~white/red/amber~~
- Installation as an integral part of a lamp which is integrated into the body of a vehicle : ~~yes~~/no
- Geometric conditions of installation and relating variations, if any : --
10. Position of the approval mark : See annexed drawing
11. Reason(s) for extension (if applicable) : --
12. Approval : ~~granted/refused/extended/withdrawn~~
13. Place : Zoetermeer
14. Date : 06-AUG-2012
15. Signature :



The image shows a blue ink signature of R.F.R. Clement written over a circular official stamp. The stamp contains the RDW logo and the text 'RDW' at the bottom.

16. The following documents, bearing the approval number shown above, are available on request:
- 1 drawing No.DF-TRL006
 - Test report as mentioned in item 8.



Zhongjiang Huhao Automotive Co., Ltd.		浙江豪豪汽车有限公司	
Model	DF-TRL006	Model	DF-TRL006
Part No.		Part No.	
Rev.		Rev.	
Drawn		Drawn	
Checked		Checked	
Approved		Approved	





THE NETHERLANDS
(N E D E R L A N D)



COMMUNICATION

Concerning:

- approval granted
- ~~- approval extended~~
- ~~- approval refused~~
- ~~- approval withdrawn~~
- ~~- production definitely discontinued~~


of a type of device for the illumination of rear registration plates of motor vehicles (except motor cycles) and their trailers pursuant to Regulation number 4.

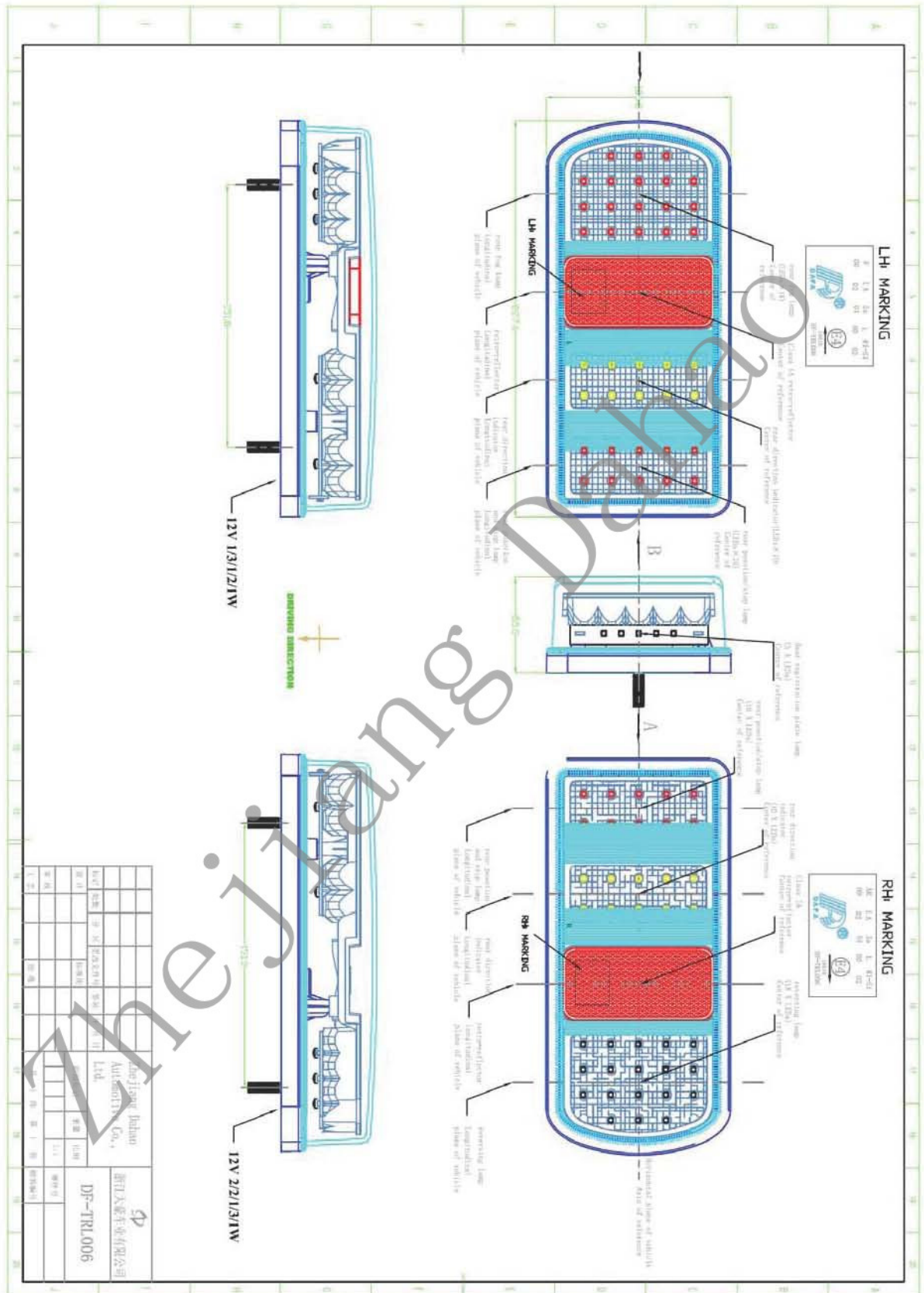
Approval number: E4-4R-00 16616

Extension number: 00

1. Trade name or mark of the device : 
2. Manufacturer's name for the type of device : DF-TRL006
3. Manufacturer's name and address : Zhejiang Dahao Automotive Co., Ltd.
Xiaotian, Duqiao, Linhai,
Taizhou City Zhejiang, 317016,
China
4. If applicable, name and address of manufacturer's representative : --
5. Submitted for approval on : 26 June 2012
6. Technical service responsible for conducting approval tests : DEKRA Certification B.V.
7. Date of report issued by that service : 24 July 2012
8. Number of report issued by that service : 2153159-PHO-12-061-36
9. Concise description :



- Device for illuminating : a tall plate/a wide plate/a plate for agricultural or forestry tractor
- Number and category(ies) of filament lamp(s) : 5 x non replaceable light sources(LED), 12V, 1W
- Light source module : ~~yes~~/no
- Light source module specific identification code : --
- Geometrical conditions of installation (position(s) and inclination(s) of the device in relation to the space to be occupied by the registration plate and/or different inclinations of this space) : See annexed drawing
10. Position of the approval mark : See annexed drawing
11. Reason(s) for extension (if applicable) : --
12. Approval : granted/~~extended/refused/withdrawn~~
13. Place : Zoetermeer
14. Date : 06 - AUG - 2012
15. Signature :
- 
R.F.R. Clement
16. The list of documents deposited with the Administrative Service which has granted approval is annexed to this communication and may be obtained on request.
- 2 drawings No.DF-TRL006 and Geometrical conditions of installation (annexed)
 - Test report as mention in item 8.

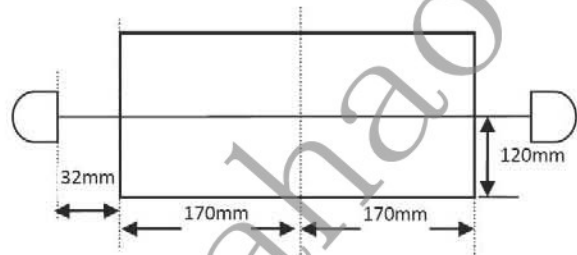
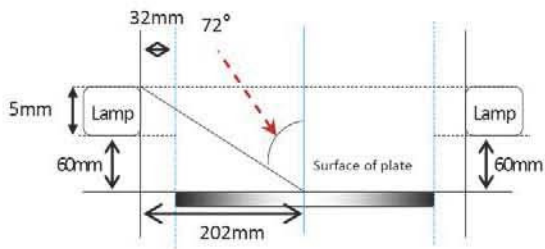


DF-TRL 006		DF	
Ano Jisong Auto Automotive Co., Ltd.		浙江大港汽车有限公司	
1	2	3	4
5	6	7	8
9	10	11	12
13	14	15	16
17	18	19	20
21	22	23	24
25	26	27	28
29	30	31	32
33	34	35	36
37	38	39	40
41	42	43	44
45	46	47	48
49	50	51	52
53	54	55	56
57	58	59	60
61	62	63	64
65	66	67	68
69	70	71	72
73	74	75	76
77	78	79	80
81	82	83	84
85	86	87	88
89	90	91	92
93	94	95	96
97	98	99	100

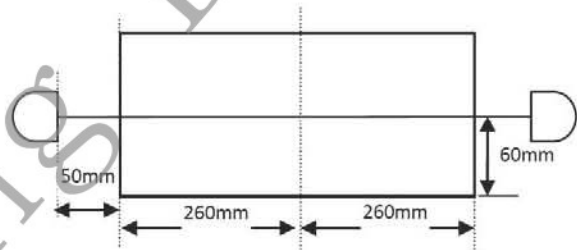
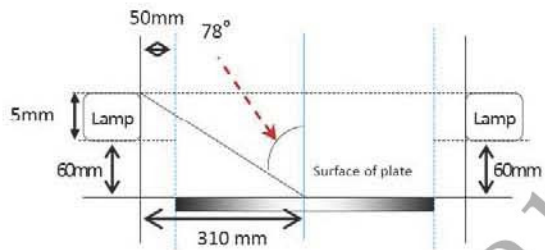


Geometrical conditions of installation

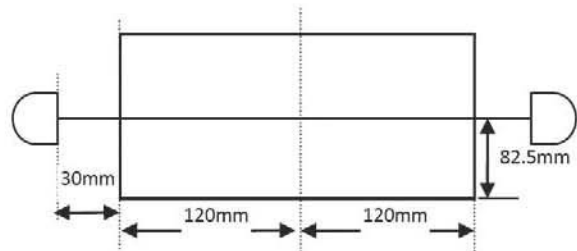
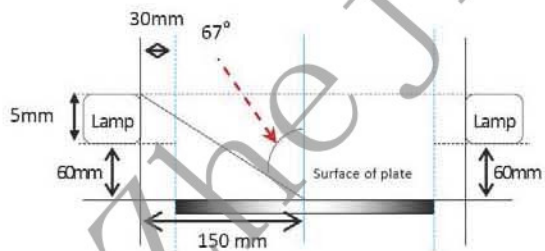
Tall plate



Wide plate



Forestry plate





THE NETHERLANDS
(N E D E R L A N D)



COMMUNICATION

Concerning:

- approval granted
- ~~approval extended~~
- ~~approval refused~~
- ~~approval withdrawn~~
- ~~production definitely discontinued~~

of a type of direction indicator pursuant to Regulation number 6.

Approval number: E4-6R-01 16616

Extension number: 00

1. Trade name or mark of the device : 
2. Manufacturer's name for the type of device : DF-TRL006
3. Manufacturer's name and address : Zhejiang Dahao Automotive Co., Ltd.
Xiaotian, Duqiao, Linhai,
Taizhou City Zhejiang, 317016,
China
4. If applicable, name and address of the manufacturer's representative : --
5. Submitted for approval on : 26 June 2012
6. Technical service responsible for conducting approval tests : DEKRA Certification B.V.
7. Date of test report issued by that service : 24 July 2012
8. Number of test report issued by that service : 2153159-PHO-12-061-36
9. Concise description :



Category	: 1/1a/1b/2a/2b/3/4/5/6
Number, category	: 10 x non replaceable light sources (LED)
Voltage and wattage	: 12V; 3W
Light source module specific identification code	: --
Only for installation on M1 and/or N1 category vehicles	: yes /no
Only for limited mounting height of equal to or less than 750 mm above the ground	: yes /no
Geometrical conditions of installation and relating variations, if any	: --
Application of an electronic light source control gear/variable intensity control	: --
(a) being part of the lamp	: yes /no
(b) being not part of the lamp	: yes /no
Input voltage(s) supplied by an electronic light source control gear/variable intensity control	: --
Electronic light source control gear/variable intensity control manufacturer and identification number (when the light source control gear is part of the lamp but is not included into the lamp body)	: --
Variable luminous intensity	: yes /no
10. Position of the approval mark	: See annexed drawing
11. Reason(s) for extension (if applicable)	:
12. Approval	: granted/extended/refused/withdrawn
13. Place	: Zoetermeer
14. Date	: 06 - AUG - 2012



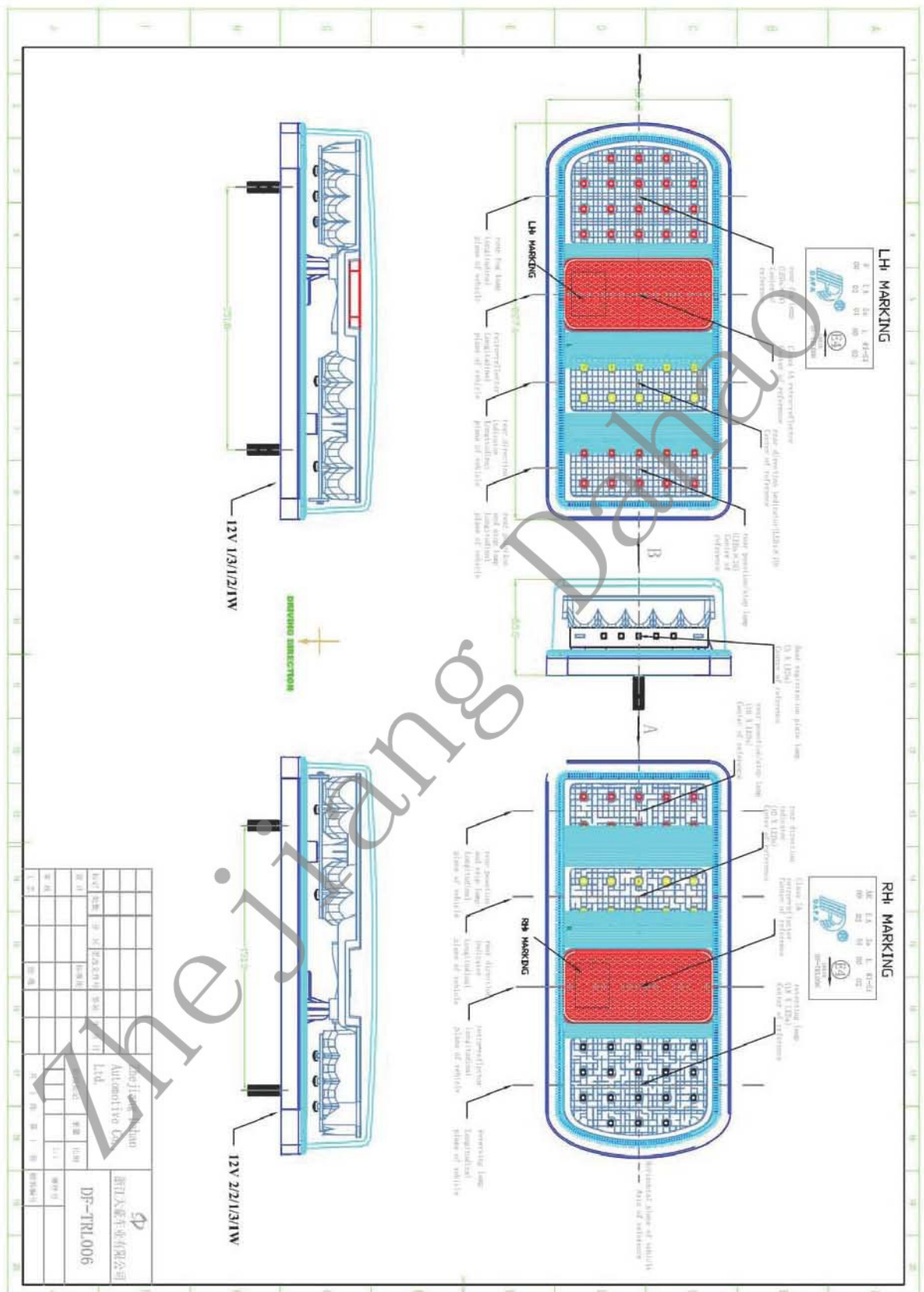
15. Signature :



R.F.R. Clement

16. The list of documents deposited with the Administrative Service which has granted approval is annexed to this communication and may be obtained on request.

- 3 Drawings: Drawing No.DF-TRL006, DF-TRL006-2 circuit diagram and Determination of the apparent surface (annexed)
- Test report as mentioned in item 8

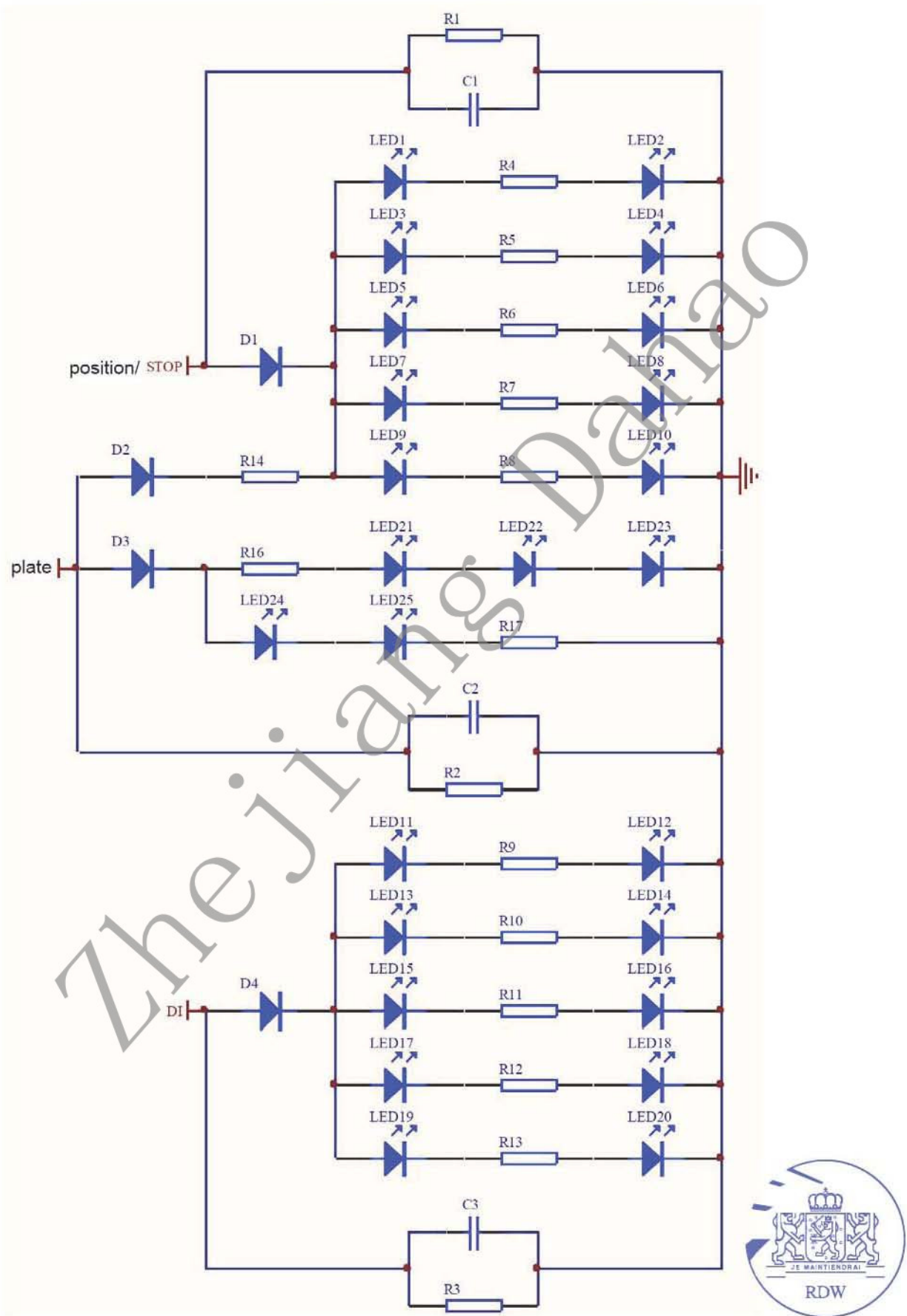


Autojiaoshen Automotive Co., Ltd.												浙江大豪车业有限公司	
DF-TR1.006												DF-TR1.006	
零件号												零件号	
图号												图号	
比例												比例	
日期												日期	
版本												版本	

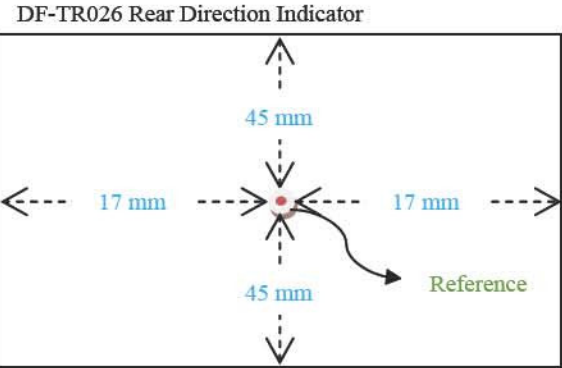


DRAWING NO.TRL006-2 CIRCUIT DIAGRAM

TRL006 rear registration, rear direction indicator, rear position, stop lamp



Determination of the apparent surface



Zhejiang Dahao





THE NETHERLANDS
(N E D E R L A N D)



COMMUNICATION


Concerning:

- approval granted
- ~~approval extended~~
- ~~approval refused~~
- ~~approval withdrawn~~
- ~~production definitely discontinued~~

of a type of device pursuant to Regulation number 7.

Approval number: E4-7R-02 16616

Extension number: 00

1. Trade name or mark of the device : 
2. Manufacturer's name for the type of device : DF-TRL006
3. Manufacturer's name and address : Zhejiang Dahao Automotive Co., Ltd.
Xiaotian, Duqiao, Linhai,
Taizhou City Zhejiang, 317016,
China
4. If applicable, name and address of the manufacturer's representative : --
5. Submitted for approval on : 26 June 2012
6. Technical service responsible for conducting approval tests : DEKRA Certification B.V.
7. Date of report issued by that service : 24 July 2012
8. Number of report issued by that service : 2153159-PHO-12-061-36
9. Concise description:
 - 9.1. By category of lamp: R1-S1



- For mounting ~~either outside or inside~~
~~or both~~ : Outside
- Colour of light emitted : red/~~white~~
- Number, category and kind of light source(s) : 10 x non replaceable light sources(LED)
- Voltage and wattage : 12V; 1W for rear position lamp
12V; 2W for stop lamp
- Light source module specific identification code : --
- Only for installation on M1 and/or N1 category vehicles : ~~yes~~/no
- Only for limited mounting height of equal to or less than 750 mm above the ground : ~~yes~~/no
- Geometrical conditions of installation and relating variations, if any : --
- Application of an electronic light source control gear/variable intensity control:
- (a) Being part of the lamp : ~~yes~~/no
- (b) Being not part of the lamp : ~~yes~~/no
- Input voltage(s) supplied by an electronic light source control gear/variable intensity control : --
- Electronic light source control gear/variable intensity control manufacturer and identification number (when the light source control gear is part of the lamp but is not included into the lamp body) : --
- Variable luminous intensity : ~~yes~~/no
- 9.2. Function(s) produced by an interdependent lamp forming part of an interdependent lamp system:
- Front position lamp : ~~yes~~/no
- R1 Rear position lamp : ~~yes~~/no
- R2 Rear position lamp : ~~yes~~/no
- S1 Stop lamp : ~~yes~~/no
- S2 Stop lamp : ~~yes~~/no
- S3 Stop lamp : ~~yes~~/no
- S4 Stop lamp : ~~yes~~/no
- End-outline marker lamp : ~~yes~~/no
10. Position of the approval mark : See annexed drawing

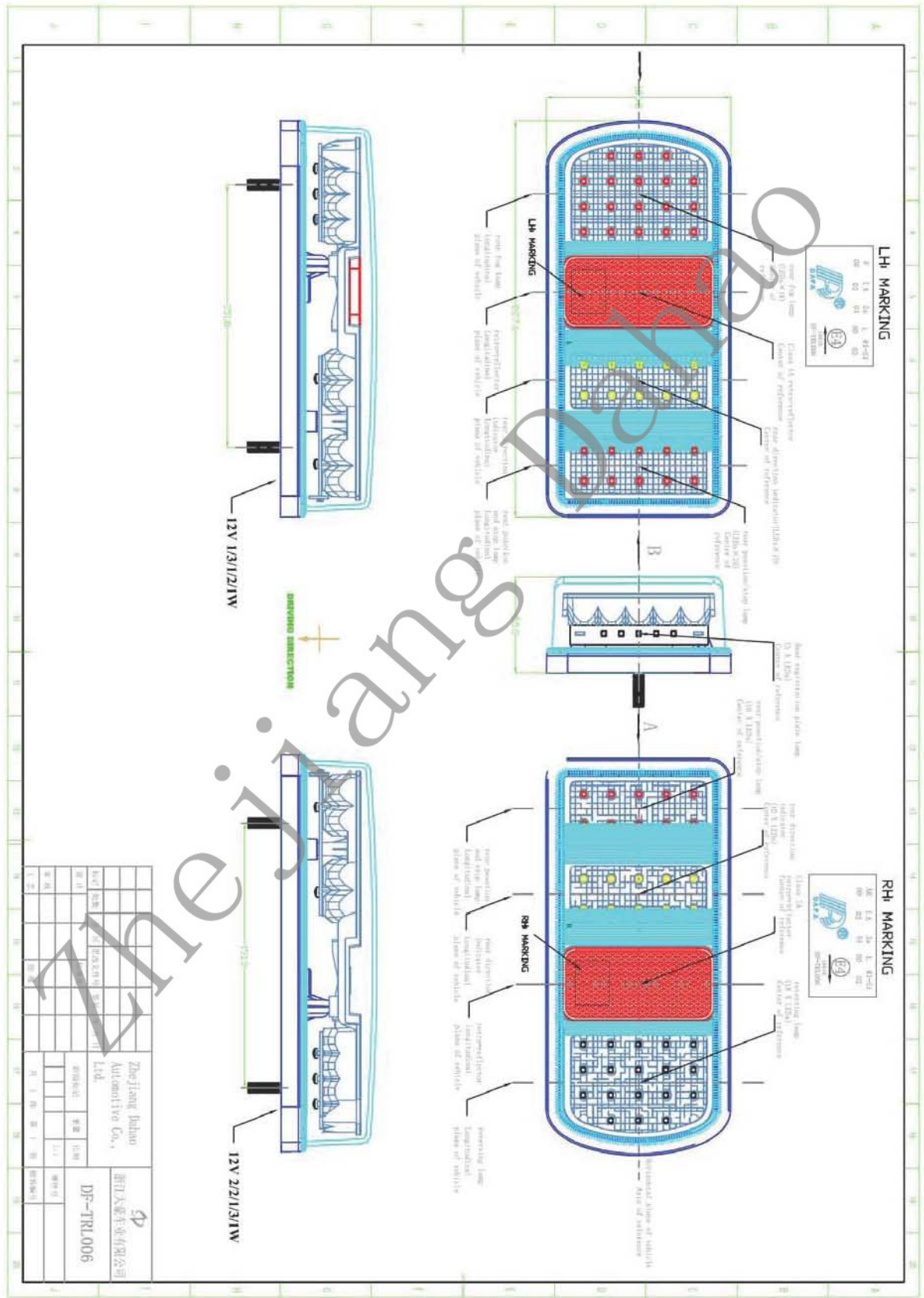


11. Reason(s) for extension (if applicable) : --
12. Approval : granted/~~extended~~/~~refused~~/~~withdrawn~~
13. Place : Zoetermeer
14. Date : 06-AUG-2012
15. Signature :



R.F.R. Clement

16. The list of documents deposited with the Administrative Service which has granted approval, is annexed to this communication and may be obtained on request.
- 3 drawings No.DF-TRL006, DF-TRL006-2 circuit diagram and Determination of the apparent surface (annexed)
 - Test report as mentioned in item 8.

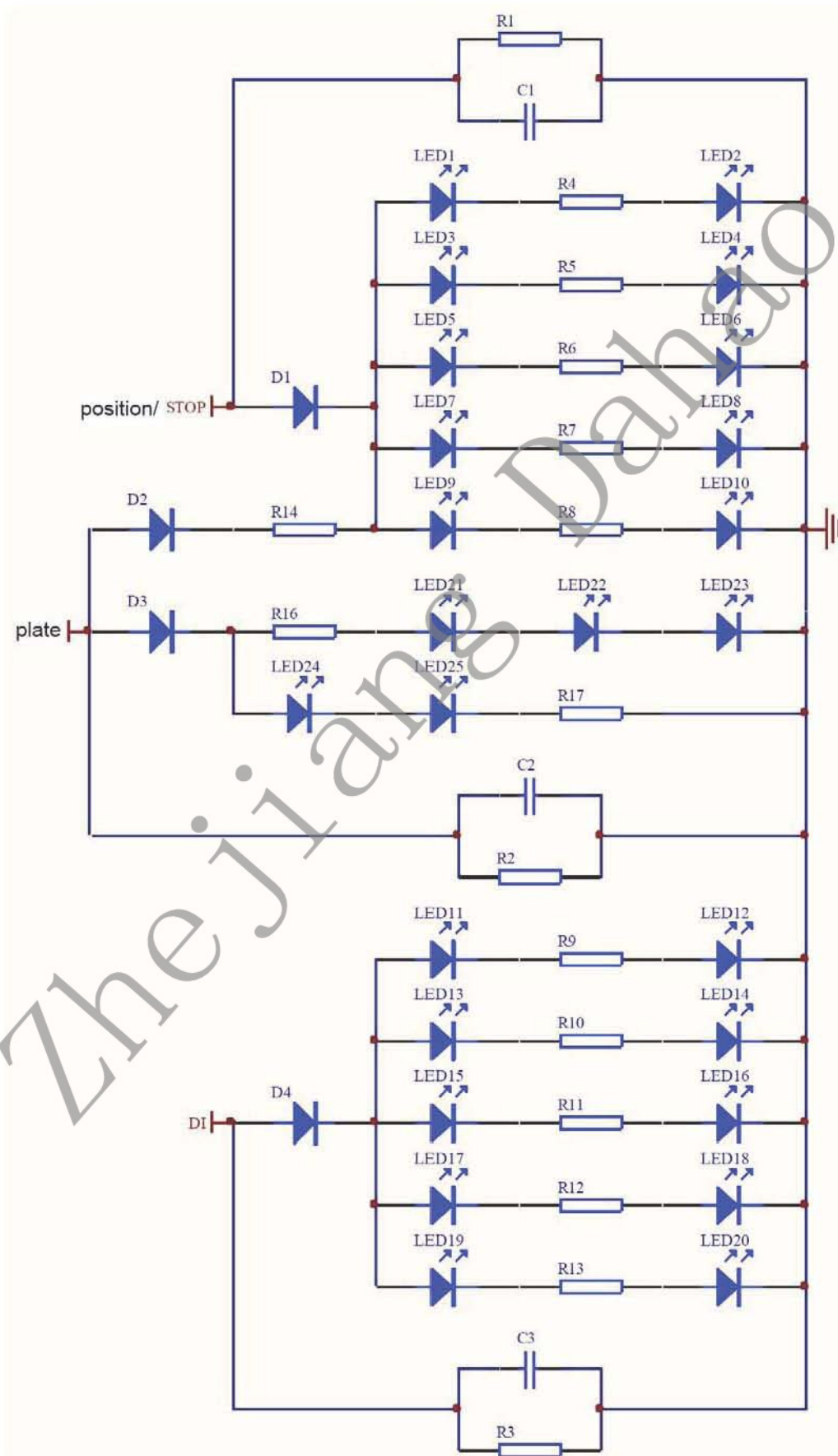


Zhejiang Huhao Automotive Co., Ltd.			
浙江豪豪汽车零部件有限公司			
product: 8183 (LH)		DF-TR1.006	
part no: 8183 (RH)		DF-TR1.006	
date: 2023.04.20		drawing no:	
drawing no: 8183 (LH)		drawing no:	
drawing no: 8183 (RH)		drawing no:	
drawing no: 8183 (LH)		drawing no:	
drawing no: 8183 (RH)		drawing no:	
drawing no: 8183 (LH)		drawing no:	
drawing no: 8183 (RH)		drawing no:	
drawing no: 8183 (LH)		drawing no:	
drawing no: 8183 (RH)		drawing no:	
drawing no: 8183 (LH)		drawing no:	
drawing no: 8183 (RH)		drawing no:	



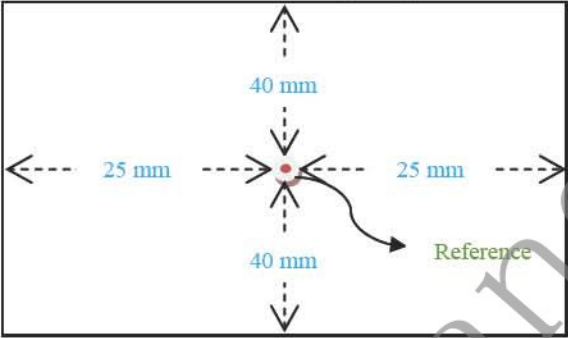
DRAWING NO.TRL006-2 CIRCUIT DIAGRAM

TRL006 rear registration, rear direction indicator, rear position, stop lamp



Determination of the apparent surface

DF-TR026 Rear Position and Stop Lamp



**THE NETHERLANDS
(N E D E R L A N D)****COMMUNICATION**


Concerning:

- ~~—approval granted~~
- ~~- approval extended~~
- ~~—approval refused~~
- ~~—approval withdrawn~~
- ~~—production definitely discontinued~~

of a type of reversing lamp pursuant to Regulation number 23.

Approval number: E4-23R-00 16616

Extension number: 00

1. Trade name or mark of the device : 
2. Manufacturer's name for the type of device : DF-TRL006
3. Manufacturer's name and address : Zhejiang Dahao Automotive Co., Ltd.
Xiaotian, Duqiao, Linhai,
Taizhou City Zhejiang, 317016,
China
4. If applicable, name and address of the manufacturer's representative : --
5. Submitted for approval on : 26 June 2012
6. Technical service responsible for conducting approval tests : DEKRA Certification B.V.
7. Date of report issued by that service : 24 July 2012
8. Number of report issued by that service : 2153159-PHO-12-061-36
9. Concise description: Right hand mounted only



- Number, category and kind of light source(s) : 18 x non replaceable light sources (LED)
- Voltage and wattage : 12V; 2W
- Application of an electronic light source control gear:
- (a) Being part of the lamp : ~~yes~~/no
- (b) Being not part of the lamp : ~~yes~~/no
- Input voltage(s) supplied by an electronic light source control gear : --
- Electronic light source control gear manufacturer and identification number (when the light source gear is part of the lamp but is not included into the lamp body) : --
- Light source module : ~~yes~~/no
- Light source module specific identification code : --
- Geometrical conditions of installation and relating variations, if any : --
10. Position of the approval mark : See annexed drawings
11. Comments:
- This device shall be installed on a vehicle only as part of a pair of devices : ~~yes~~/no
12. Reason(s) for extension (if applicable) : --
13. Approval : granted/~~extended/refused/withdrawn~~
14. Place : Zoetermeer
15. Date : 06-AUG-2012
16. Signature :



R.F.R. Clement

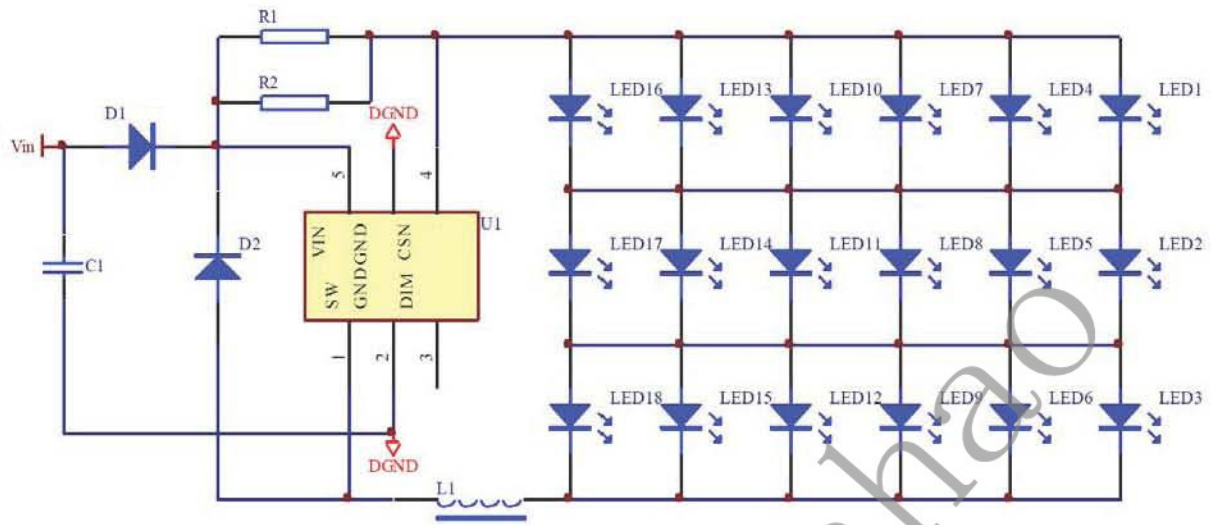
17. The list of documents deposited with the Administrative Service which has granted approval is annexed to this communication and may be obtained on request.
- 3 Drawings No.DF-TRL006, DF-TRL006-1 and Determination of the apparent surface (annexed)
 - Test report as mentioned in item 8.

Zhejiang Damao

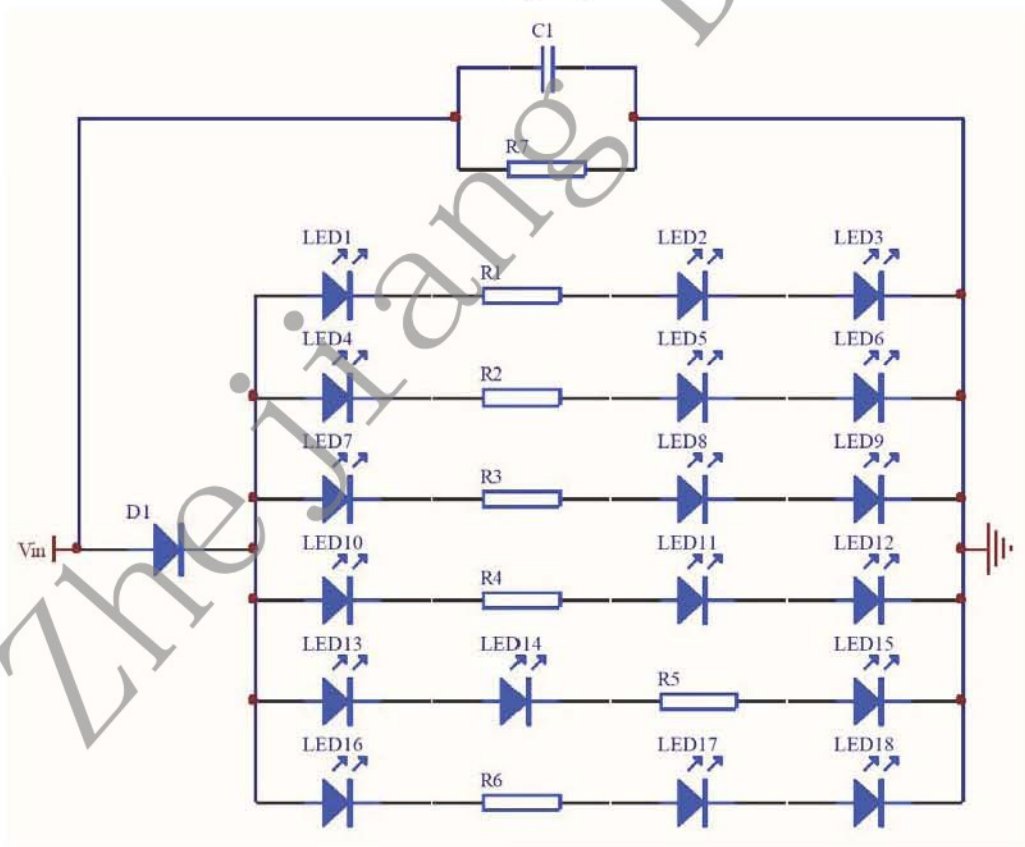


DRAWING NO.TRL006-1 CIRCUIT DIAGRAM

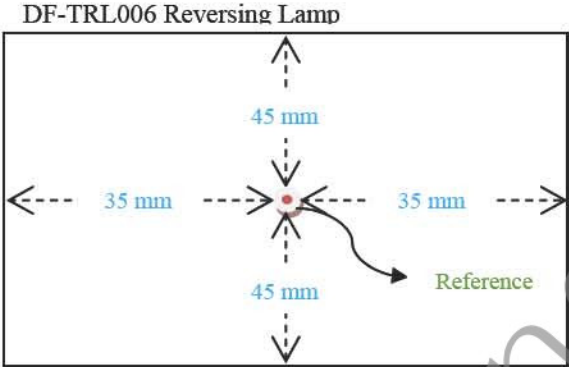
rear fog



reversing lamp



Determination of the apparent surface



Zhejiang Dahao





THE NETHERLANDS
(N E D E R L A N D)



COMMUNICATION


Concerning:

- approval granted
- ~~- approval extended~~
- ~~- approval refused~~
- ~~- approval withdrawn~~
- ~~- production definitely discontinued~~

of a type of rear fog lamp for vehicle and their trailers pursuant to Regulation number 38.

Approval number: E4-38R-00 16616

Extension number: 00

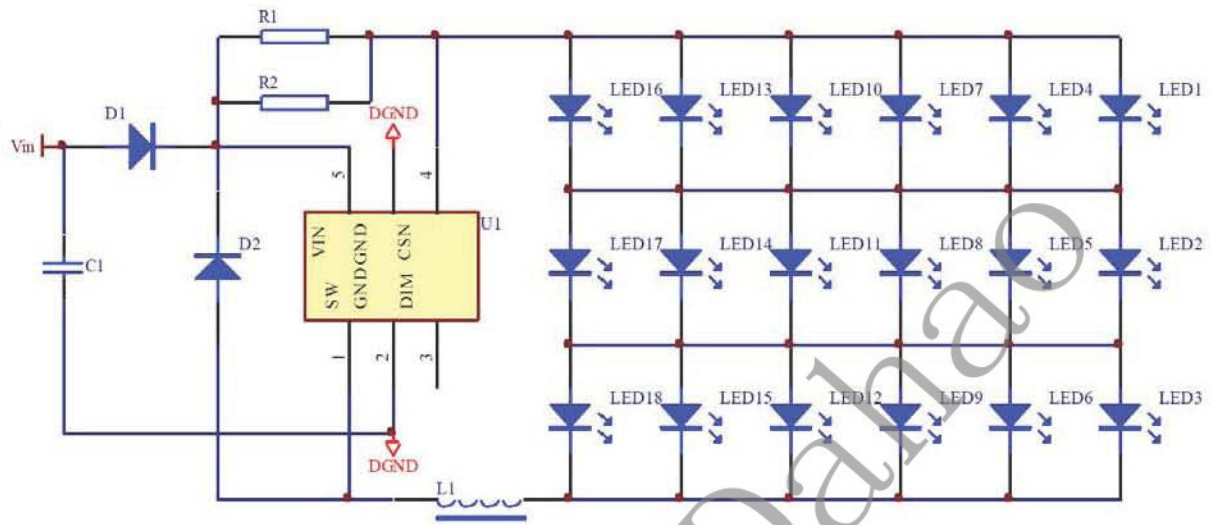
1. Trade name or mark of the device : 
2. Manufacturer's name for the type of device : DF-TRL006
3. Manufacturer's name and address : Zhejiang Dahao Automotive Co., Ltd.
Xiaotian, Duqiao, Linhai,
Taizhou City Zhejiang, 317016,
China
4. If applicable, name and address of the manufacturer's representative : --
5. Submitted for approval on : 26 June 2012
6. Technical service responsible for conducting approval tests : DEKRA Certification B.V.
7. Date of report issued by that service : 24 July 2012
8. Number of reports issued by that service : 2153159-PHO-12-061-36
9. Concise description: Left hand mounted only



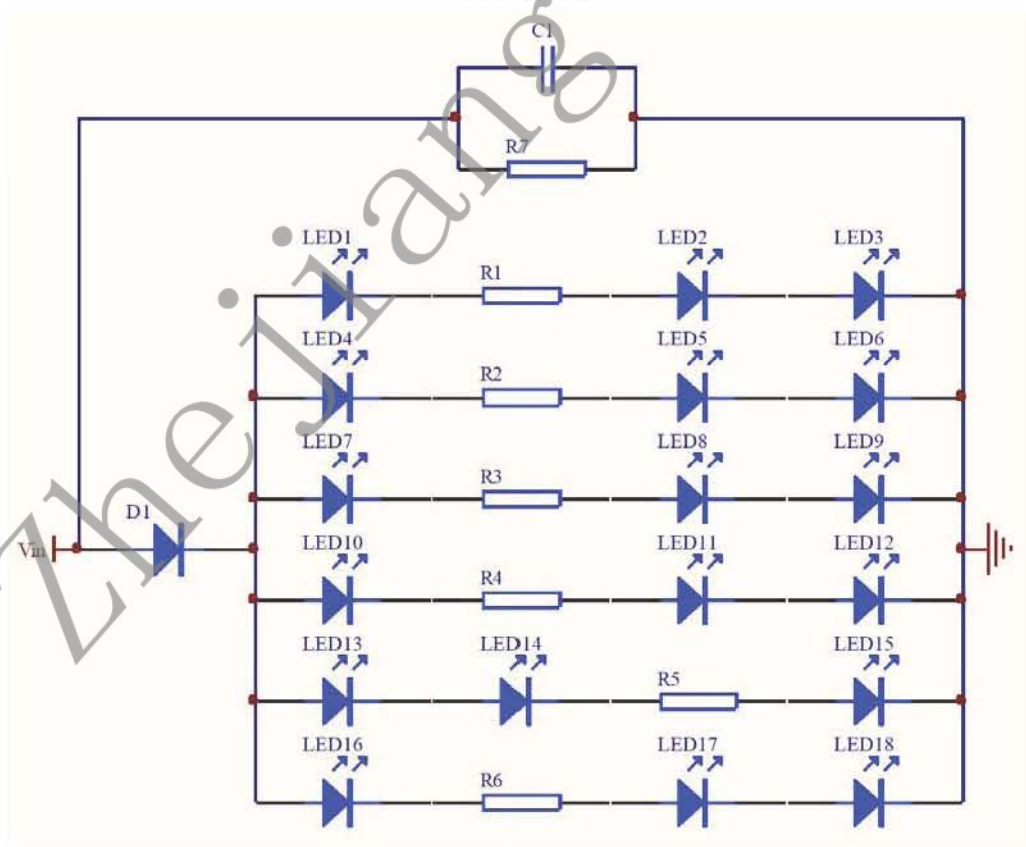
- Number, category and kind of light source(s) : 18 x non replaceable light sources (LED)
- Voltage and wattage : 12V; 1W
- Light source module specific identification code : --
- Geometrical conditions of installation and relating variations, if any : --
- Application of an electronic light source control gear/variable intensity control:
- (a) Being part of the lamp : ~~yes/no~~
- (b) Being not part of the lamp : ~~yes/no~~
- Input voltage(s) supplied by an electronic light source control gear/variable intensity control : --
- Electronic light source control gear/variable intensity control manufacturer and identification number (when the light source control gear is part of the lamp but is not included into the lamp body) : --
- Variable luminous intensity : ~~yes/no~~
10. Position of the approval mark : See annexed drawings
11. Reason(s) for extension (if applicable) : --
12. Approval : ~~granted/extended/refused/withdrawn~~
13. Place : Zoetermeer
14. Date : 06-AUG-2012
15. Signature :  R.F.R. Clement
16. The list of documents deposited with the Administrative Service which has granted approval is annexed to this communication and may be obtained on request.
- 3 Drawings No.DF-TRL006, DF-TRL006-1 circuit diagram and Determination of the apparent surface (annexed)
 - Test report as mentioned in item 8.

DRAWING NO.TRL006-1 CIRCUIT DIAGRAM

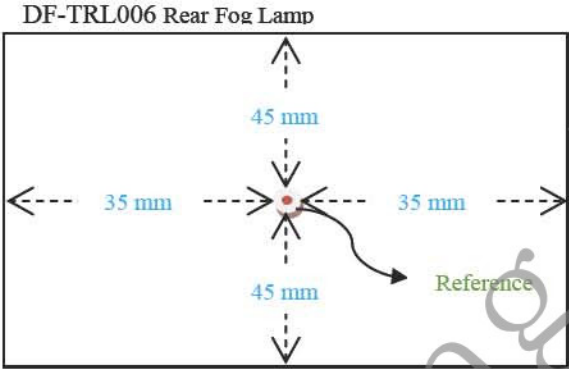
rear fog



reversing lamp



Determination of the apparent surface



Zhejiang Dahao

